

# WEIGHING ASSEMBLY HM-9-401

Capacity	Part number
5-20K	HM-9-401-5/20K
30-75K	HM-9-401-30/75K
100K	HM-9-401-100K
150K	HM-9-401-150K
200-250K	HM-9-401-200/250K

## Features

Alloy steel integrative assembly can be installed easily, suitable for testing slight dynamic load under heavy static load, excellent anti-side load ability.

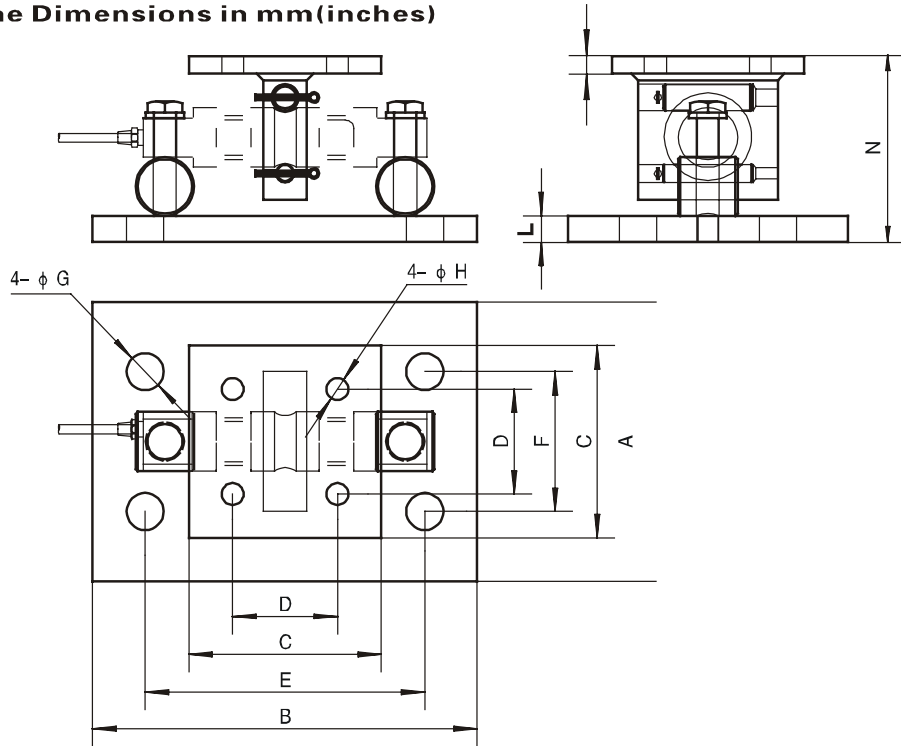
Suitable for hopper and tank scales found in petroleum, chemical engineering and electronic power industries.

Alloy steel material can withstand environment and gas with slight corrosive.



Assembled with H9C or B9C.

## Outline Dimensions in mm(inches)



Dimensions \ Capacity	A	B	C	D	E	F	G	H	L	M	N
5-20K	279.4 (11.00)	203.2 (8.00)	139.7 (5.50)	76.2 (3.00)	203.2 (8.00)	101.6 (4.00)	26.9 (1.06)	16 (0.63)	19 (0.75)	12.7 (0.50)	139.2 (5.48)
30-75K	381 (15.00)	254 (10.00)	203.2 (8.00)	130.3 (5.13)	292.1 (11.50)	152.4 (6.00)	31 (1.22)	19.1 (0.75)	25 (1.0)	19.1 (0.75)	214.1 (8.43)
100-150K	457.2 (18.00)	304.8 (12.00)	254 (10.00)	190.5 (7.50)	355.6 (14.00)	228.6 (9.00)	35.1 (1.38)	20.6 (0.81)	31.8 (1.25)	31.8 (1.25)	246 (10.39)
200-250K	660.4 (26.00)	304.8 (12.00)	304.8 (12.00)	228.6 (9.00)	508 (20.00)	152.4 (6.00)	47.8 (1.88)	26.9 (1.06)	50.8 (2.00)	50.8 (2.00)	400 (15.73)

# WEIGHING ASSEMBLY BM-9-402



Stainless steel, assembled with B9C or H9C.

Capacity	Part number
5-20K	BM-9-402-5/20K
30-75K	BM-9-402-30/75K
100K	BM-9-402-100K
150K	BM-9-402-150K
200-250K	BM-9-402-200/250K

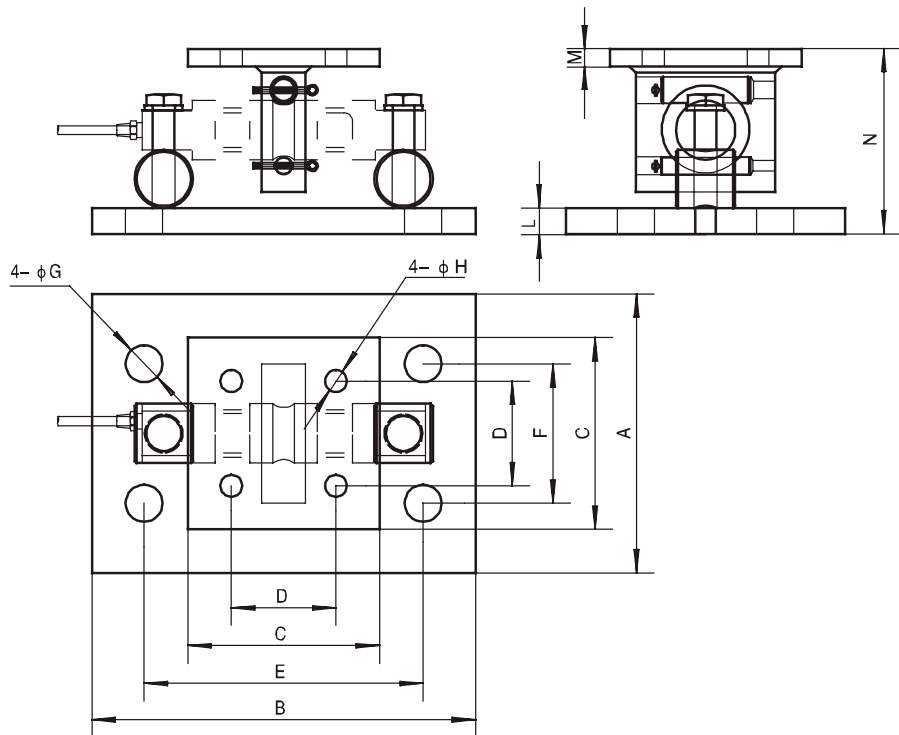
## Features

Stainless steel integrative assembly can be installed easily, suitable for testing load, excellent anti-side load ability.

Suitable for hopper and tank scales found in petroleum, chemical engineering industries.

Stainless steel can withstand corrosive environment.

## Outline Dimensions in mm(inches)



Dimensions Capacity	A	B	C	D	E	F	G	H	L	M	N
5-20K	279.4 (11.00)	203.2 (8.00)	139.7 (5.50)	76.2 (3.00)	203.2 (8.00)	101.6 (4.00)	26.9 (1.06)	16 (0.63)	19 (0.75)	12.7 (0.50)	139.2 (5.48)
30-75K	381 (15.00)	254 (10.00)	203.2 (8.00)	130.3 (5.13)	292.1 (11.50)	152.4 (6.00)	31 (1.22)	19.1 (0.75)	25 (1.00)	19.1 (0.75)	214.1 (8.43)
100-150K	457.2 (18.00)	304.8 (12.00)	254 (10.00)	190.5 (7.50)	355.6 (14.00)	228.6 (9.00)	35.1 (1.38)	20.6 (0.81)	31.8 (1.25)	31.8 (1.25)	264 (10.39)
200-250K	660.4 (26.00)	304.8 (12.00)	304.8 (12.00)	228.6 (9.00)	508 (20.00)	152.4 (6.00)	47.8 (1.88)	26.9 (1.06)	50.8 (2.00)	50.8 (2.00)	400 (15.73)